

NA / NA-X ELECTRIC ACTUATOR

FEATURES

The NA electric actuator is intended for motorising industrial ¼ turn valves. The torque is 2500 Nm maximum. With a robust construction and IP67 epoxy-coated aluminium housing, the NA actuator is especially well suited for motorising ball valves and butterfly valves installed in workshops or outdoors. It has handle override and torque limiters (part for NA06 and NA09). Many available options. The NA-X version can be used in the 1 and 2 explosive atmospheres. Compliant with the EN 15714-2 standard.

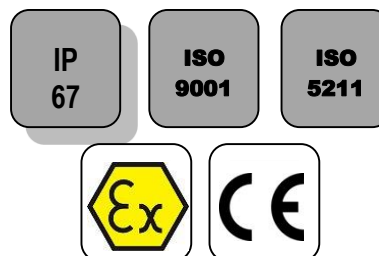
AVAILABLE MODELS

NA06: 60 Nm to NA250: 2500 Nm

Supply voltages: 230V AC, 400V AC, 24V AC, 24V DC

LIMITS OF USE

Version	NA	NA-X
IP Code	IP 67	
Ambient temperature	-20°C / +70°C	-20°C / +55°C
Service factor	S2-70%	
Explosive atmospheres	forbidden	Zones 1 and 2



NA-X version



MECHANICAL FEATURES

Gear box	treated steel pinions
Angle of rotation angle	90° +/- 5°
Declutching	by lever
Override control	by wheel
Torque limiter	Apart from NA06 and NA09

Actuator	NA06	NA09	NA15	NA28	NA38	NA60	NA100	NA150	NA200	NA250
Torque (Nm)	60	90	150	280	380	600	1000	1500	2000	2500
Manoeuvring time (s)	17	17	20	24	24	29	29	87	87	87
ISO 5211	F07	F07	F07/F10	F10/F12	F10/F12	F12/F14	F12/F14	F14/F16	F14/F16	F14/F16
Drive star	17	17	17	22	27	27	27	36	36	46

DIRECTIVES AND MANUFACTURING STANDARDS

2006/42/EC machine	Connection to valves: ISO 5211
Low voltage 2006/95/EC	2004/108/EC electromagnetic compatibility
ATEX 1994/9/EC: ATEX II 2 G EEx d II B T4 – NEMKO 03ATEX1342X (only NA-X actuator)	

Information given as an indication only, and subject to possible modifications

NA / NA-X ELECTRIC ACTUATOR

MANUFACTURING

1	Position indicator	Polycarbonate
2	Condenser	
3	Wiring terminal box	
4	Limit switches	
5	Body	Aluminium alloy
6	Base	Aluminium alloy
7	Drive bushing	Steel
8	Dome	Polycarbonate
9	Electrical motor	
10	Anti-condensation heater	
11	Wheel	Steel
12	Handle override	Steel
13	Declutching lever	Steel
14	Worm drive	Steel



ELECTRICAL FEATURES

Motor protection	Thermal	Anti-condensation	20 W heater
Limit switches	2 adjustable switches	NA electrical connection	2 x C.G. M20x1.5
Auxiliary switches	2 adjustable dry switches	NA-X electrical connection	2 x C.G. M20x1.5 ATEX (NOT SUPPLIED on option)

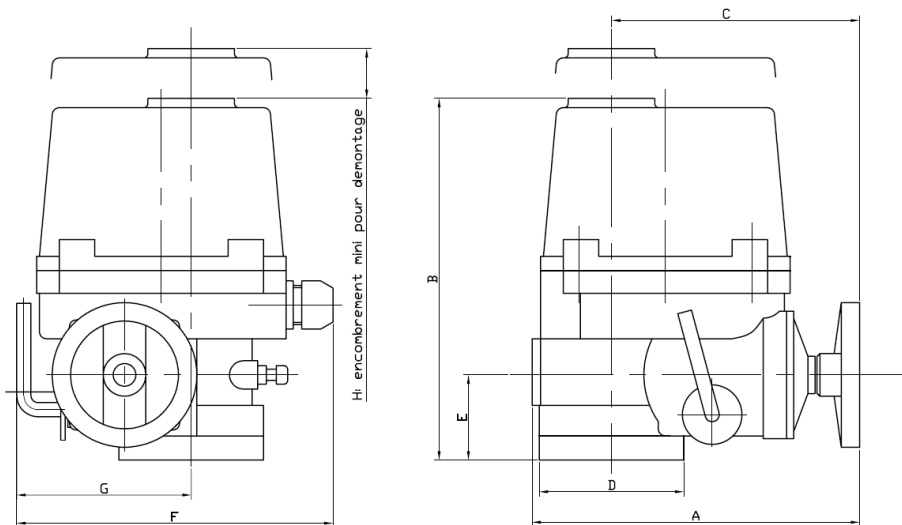
Actuator	NA06	NA09	NA15	NA28	NA38	NA60	NA100	NA150	NA200	NA250
Power (W)	15	25	40	40	60	90	180	98	180	180
Voltage	380V – 50Hz									
Holding current (A)	00:13	00:18	0.3	0.3	00:33	00:52	0.73	00:52	0.73	0.73
Inrush current (A)	00:23	00:36	00:59	0.74	0.78	01:24	1.68	0.78	1.68	1.68
Voltage	220V – 50Hz									
Holding current (A)	00:45	00:58	0.95	0.95	1.3	1.5	02:15	1.5	02:15	02:15
Inrush current (A)	0.63	0.89	01:12	01:37	1.85	02:34	3.4	02:34	3.4	3.4
Voltage	24V – 50 Hz									
Holding current (A)	3.2	4.3	6.5	8.1						
Inrush current (A)	6	8	12	14						
Voltage	24V DC									
Holding current (A)	2.2	3.5	4.5	6.5						
Inrush current (A)	4.1	4.1	6.6	13.8						

Information given as an indication only, and subject to possible modifications

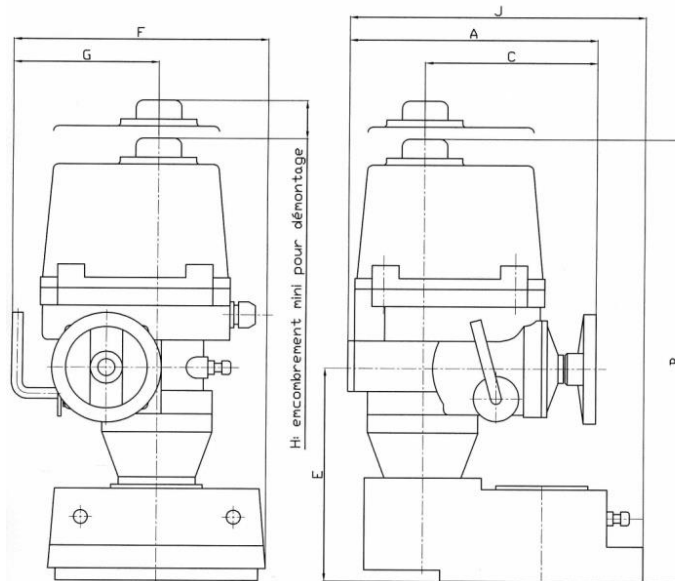
NA / NA-X ELECTRIC ACTUATOR

DIMENSIONS (mm)

NA 06 to NA 100



NA 150 to NA 250



NA	A	B	C	D	E	F	G	H
06-09	231	255	175	102	60	223	113	108
15	261	255	184	120	60	266	139	108
28-38	285	302	202	145	70	300	159	130
60-100	325	343	226	175	78	349	191	178
150-200-250	325	556	226	-	273	388	191	178

Information given as an indication only, and subject to possible modifications

NA / NA-X ELECTRIC ACTUATOR

OPTIONS

1	NA PIU: version with feedback potentiometer
2	NA CPT: version with position transmitter 4-20 mA
3	NA PCU: version with adjustment card 0-10V, 2-10V, 2-20 mA, 4-20 mA
4	NA LCU: version with local control
5	NA RBP: version with in-built fail safe/security
6	Anti-seismic test
7	Low temperature version -40
8	IP 68 version
9	120°, 135°, 180°, 270° rotation angles

Information given as an indication only, and subject to possible modifications