

BALL-VALVE PVC- U - PP - PVDF



FEATURES

The ball-valves are 2-way wafer full-bore valves intended for current valve applications. This valve, PN10, is used to isolate low-pressure water, acid or alkaline fluid networks (cf. Sectoriel's table of resistance of materials) The PTFE seat gaskets guarantee a long service life. Fully removable model.



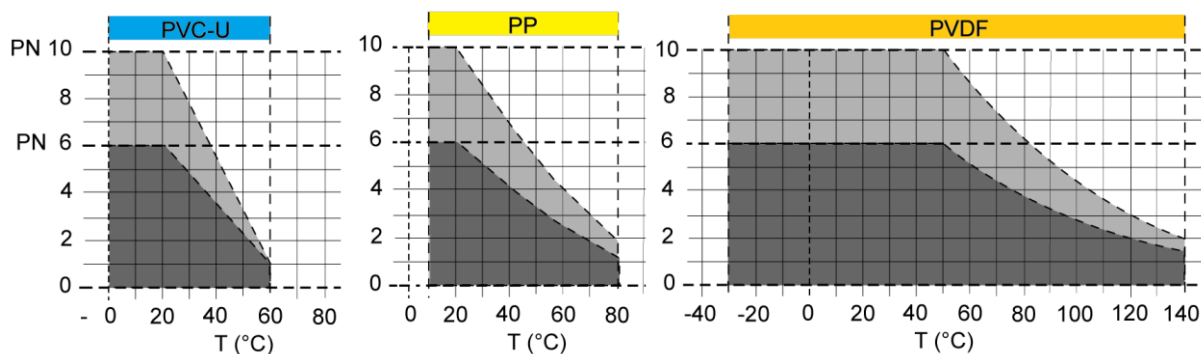
AVAILABLE VERSIONS

REFERENCE	BODY	GASKETS
	PVC-U	EPDM
	PVC-U	FPM
	PP	EPDM
	PP	FPM
	PVDF	FPM

Diameter: DN65 to DN150
 Wafer connection
 PN10 till DN100 PN6 beyond

*- - - DN of the valve (e.g. C100 PVC-U/FPM DN65 valve code 5101BW065)

LIMITS OF USE



The limits of each material are valid for the nominal pressures indicated, and for a service life of 25 years. These are indicative values for non-hazardous transported materials (DIN 2403), for which the valve material is resistant. Please contact us for use at temperatures below 0°C (+10°C for PP).

OPTION

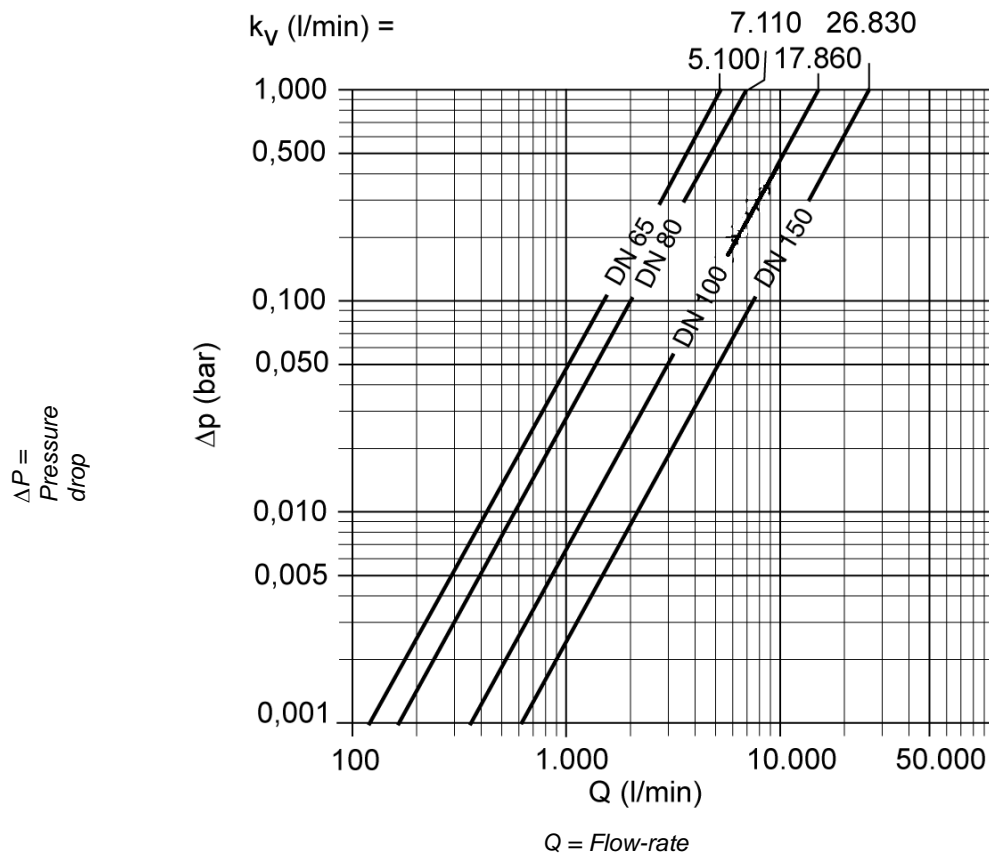
Female end or rotating flange connection
 DN125 rotating flange connection

BALL-VALVE PVC- U - PP - PVDF

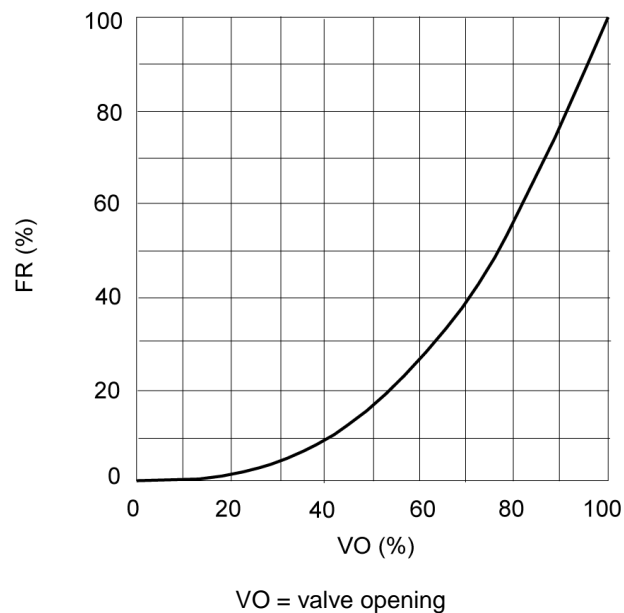


HYDRAULIC FEATURES

Pressure drop curve (Indicative value for H₂O at 20°C)



$$FR = K_v \cdot \frac{val}{e}$$

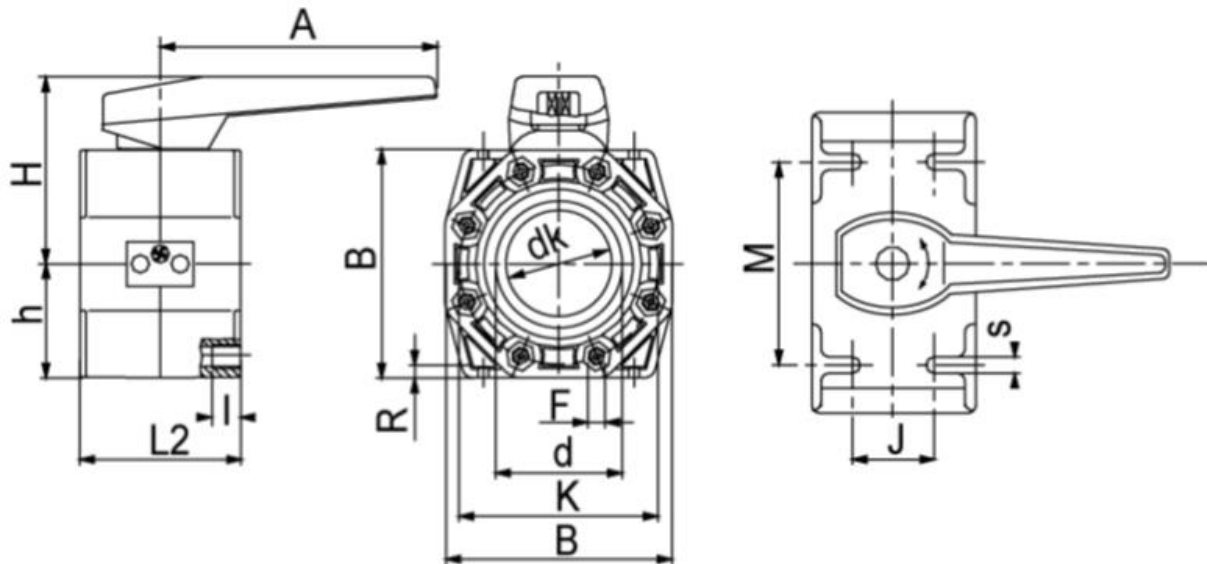


BALL-VALVE PVC- U - PP - PVDF

DIMENSIONS (mm)

PVC-U / PP												
DN	d	A	dk	K	B	h	H	L2	M	J	F	I
65	70	210	64	145	169	84.5	142	112	111	60	M16	20
80	90	210	77	160	186	93	150	124	124	60	M16	20
100	110	260	94	180	206	103	165	145	137	80	M16	20
150	160	310	135	240	273	136.5	210	205	179	130	M20	30

PVDF												
DN	d	A	dk	K	B	h	H	L2	M	J	F	I
65	70	210	64	145	168	84	140	112	111	57	M16	20
80	90	210	77	160	182	91	148	123	122	57	M16	20
100	110	260	94	180	202	101	163	140	133	76	M16	20
150	160	310	135	240	264	132	206	197	175	124	M20	30



BALL-VALVE PVC- U - PP - PVDF

CONSTRUCTION

N°	Item	Material	N°	Item	Material
1	Body	PVC-U PP PVDF	10	Gaskets	EPDM/FPM
2	Ball	PVC-U PP PVDF	11	O-ring	EPDM / FPM
3	Handle	PP-GF	12	O-rings	EPDM / FPM
4	Bush	PTFE	13	Screw (option)	Stainless steel
5	Nut	Stainless steel	14	Washers (option)	Stainless steel
7	Socket hex head screw	Stainless steel	15	Female end (option)	PVC-U PP PVDF
8	Ball gaskets	PTFE	16	Flange (option)	PVC-U PP PVDF
9	O-ring	EPDM / FPM			

