

STAINLESS STEEL SWING CHECK VALVE PN16



Size : DN 1/4" to 2"
Ends : Female BSP
Min Temperature : - 20°C
Max Temperature : + 200°C
Max Pressure : 16 Bars
Specifications : Swing type
Metal / metal thickness
Weak head loss

Materials : Stainless steel

STAINLESS STEEL SWING CHECK VALVE PN16

SPECIFICATIONS :

- Vertical position with ascendant fluid or horizontal position
- Respect the flow direction indicated by the arrow
- Female cylindrical threaded BSP ends
- Swing type
- Metal / metal thickness

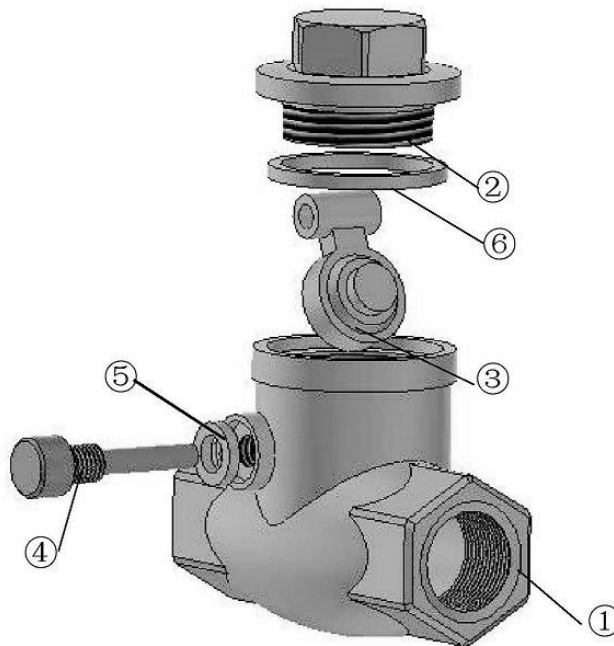
USE :

- Chemical and pharmaceutical industries, petrochemical industries, hydraulic installation
- Min Temperature Ts : - 20°C
- Max Temperature Ts :+ 200°C
- Max Pressure Ps : 16 bars

RANGE :

- Female cylindrical threaded BSP ends from DN 1/4" to DN 2"

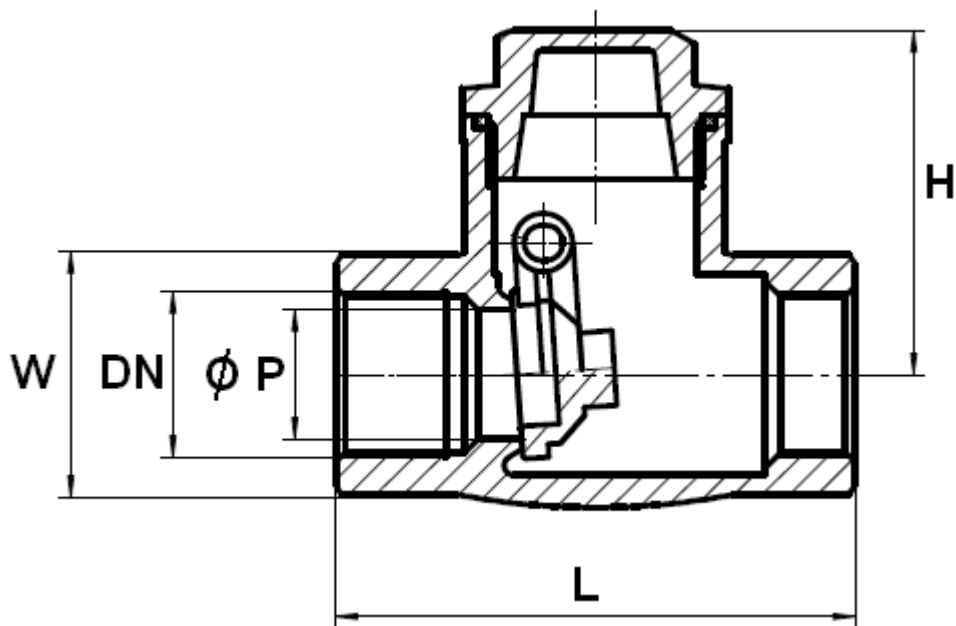
MATERIALS :



Item	Designation	Materials
1	Body	ASTM A351 CF8M
2	Bonnet	ASTM A351 CF8M
3	Disc	ASTM A351 CF8M
4	Stem	SS 304
5	Stem gasket	PTFE
6	Bonnet gasket	PTFE

STAINLESS STEEL SWING CHECK VALVE PN16

SIZE (in mm):



Ref.	DN	1/4"	3/8"	1/2"	3/4"	1"	1"1/4	1"1/2	2"
320	$\varnothing P$	10	12	15	20	25	32	38	50
	L	65	65	65	80	90	103	120	141
	H	42	42	45.5	53.5	56.5	61	70.5	76.5
	W (on flat)	24	24	27	34	42	49	57	69
	Weight (Kg)	0.280	0.264	0.320	0.530	0.750	1.030	1.590	2.310

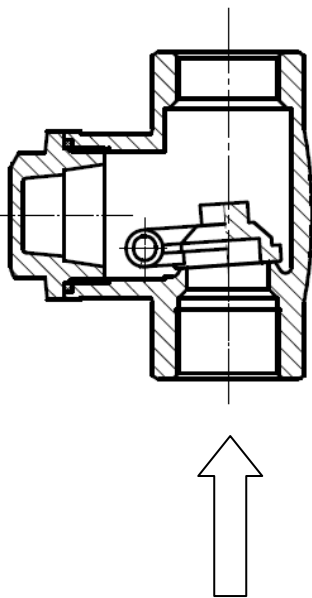
STAINLESS STEEL SWING CHECK VALVE PN16

STANDARDS :

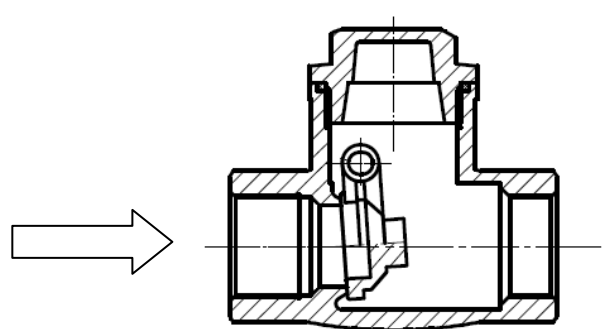
- Fabrication according to ISO 9001 : 2008
- DIRECTIVE 97/23/CE : CE N° 0035
Risk Category III Module H
- Threaded cylindrical female BSP ends according to ISO 228-1

INSTALLATION POSITIONS :

Vertical position (ascendant fluid)



Horizontal position



STAINLESS STEEL SWING CHECK VALVE PN16

INSTALLATION INSTRUCTIONS

GENERAL GUIDELINES :

- Ensure that the check valves to be used are appropriate for the conditions of the installation (type of fluid, pressure and temperature).
- Be sure to have enough valves to be able to isolate the sections of piping as well as the appropriate equipment for maintenance and repair.
- Ensure that the valves to be installed are of correct strength to be able to support the capacity of their usage.

INSTALLATION INSTRUCTIONS :

- **Before installing the check valves, clean and remove any objects from the pipes** (in particular bits of sealing and metal) which could obstruct and block the valves.
- **Ensure that both connecting pipes either side of the check valve (upstream and downstream) are aligned (if they're not, the valves may not work correctly).**
- **Make sure that the two sections of the pipe (upstream and downstream) match, the check valve unit will not absorb any gaps. Any distortions in the pipes may affect the tightness of the connection, the working of the check valve and can even cause a rupture.** To be sure, place the kit in position to ensure the assembling will work.
- **If sections of piping do not have their final support in place, they should be temporarily fixed. This is to avoid unnecessary strain on the check valve.**
- If there is a direction changing or if there's another material, it's better to take away the check valve so that it is outside the turbulence area (**between 3 and 5 times the ND before and after**).
- After a pump please refer to norm FD CEN/TR 13932 to install the check valve.