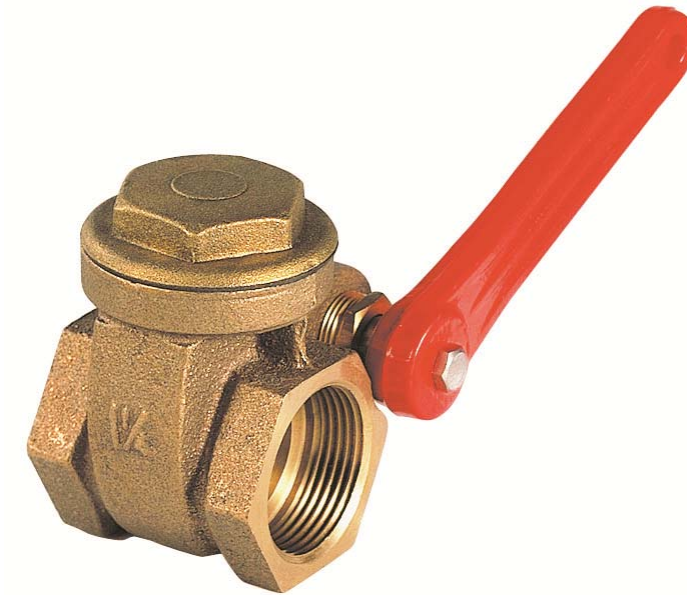


QUICK CLOSING DOUBLE GATE VALVE BRONZE



SINCERT



Size : DN 3/8" to 4"
Ends : Female - Female BSP
Min Temperature : - 10°C
Max Temperature : + 110°C
Max Pressure : 16 Bars up to DN 2"
Specifications : Double gate
Full bore
Quick closing

Materials : Bronze

QUICK CLOSING DOUBLE GATE VALVE BRONZE

SPECIFICATIONS :

- Full bore
- Double gate
- Quick closing
- Female / Female

USE :

- For common fluids
- Min and max Temperature Ts : - 10°C to + 110°C
- Max Pressure Ps : 16 bars up to DN 2" and 10 bars over

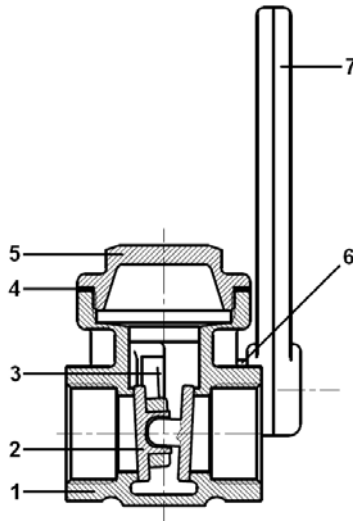
FLOW COEFFICIENT Kvs (M3 / h) :

DN	3/8"	1/2"	3/4"	1"	1"1/4	1"1/2	2"	2"1/2	3"	4"
Kvs (m3/h)	10	17	41	68	123	198	290	520	850	1350

RANGE :

- Threaded female BSP cylindrical from DN 3/8" to 4" Ref.

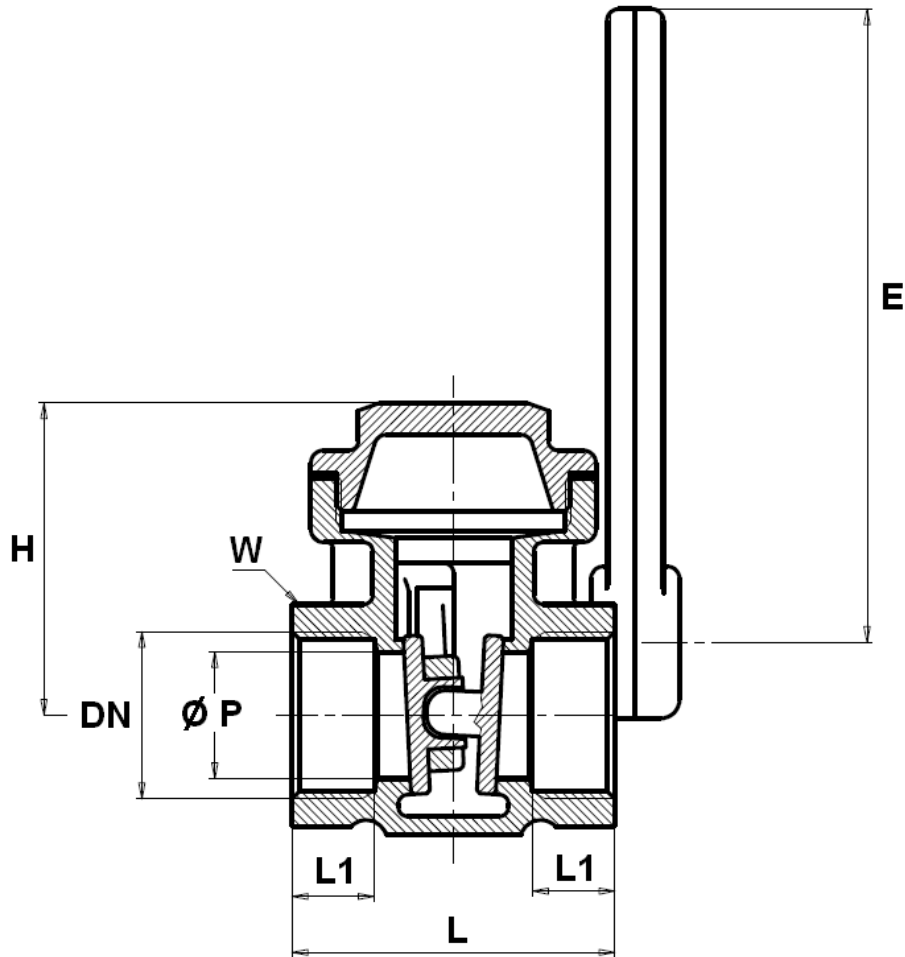
MATERIALS :



Item	Designation	Materials
1	Body	Bronze
2	Wedge disc	Brass CW 617N according to EN 12165
3	Stem	Brass CW614N according to EN 12164
4	Bonnet gasket	Fiber
5	Bonnet	Brass CW 617N according to EN 12165
6	Stem gasket	PTFE
7	Lever	Aluminium

QUICK CLOSING DOUBLE GATE VALVE BRONZE

SIZE (in mm) :



REF.	DN	3/8"	1/2"	3/4"	1"	1"1/4	1"1/2	2"	2"1/2	3"	4"
	Ø P	15	15	20	25	32	37	47	58	72	92
	L	44	46	51	57	61	67	77	86	91	102
	L1	11	13	14	16	17	19	20	20	21	24
	H	40	40	48	55	62	68	81	108	121	148
	E	80	80	100	100	120	136	165	205	205	255
	W	24	27	35	41	51	57	69	87	99	125
	Weight (Kg)	0.33	0.37	0.56	0.77	1	1.42	2.07	3.5	4.35	7.3

QUICK CLOSING DOUBLE GATE VALVE BRONZE

STANDARDS :

- Fabrication according to ISO 9001 :2008
- DIRECTIVE 97/23/CE : Concerned by article 3, § 3
- Threaded female BSP cylindrical ends according to UNI ISO 228/1

ADVICE : Our opinion and our advice are not guaranteed and shall not be liable for the consequences of damages.
The customer must check the right choice of the products with the real service conditions.

QUICK CLOSING DOUBLE GATE VALVE BRONZE

INSTALLATION INSTRUCTIONS

GENERAL GUIDELINES :

- Ensure that the valves to be used are appropriate for the conditions of the installation (type of fluid, pressure and temperature).
- Be sure to have enough valves to be able to isolate the sections of piping as well as the appropriate equipment for maintenance and repair.
- Ensure that the valves to be installed are of correct strength to be able to support the capacity of their usage.
- **Installation of all circuits should ensure that their function can be automatically tested on a regular basis (at least two times a year).**

INSTALLATION INSTRUCTIONS :

- **Before installing the valves, clean and remove any objects from the pipes** (in particular bits of sealing and metal) which could obstruct and block the valves.
- **Ensure that both connecting pipes either side of the valve (upstream and downstream) are aligned (if they're not, the valves may not work correctly).**
- **Make sure that the two sections of the pipe (upstream and downstream) match, the valve unit will not absorb any gaps. Any distortions in the pipes may affect the tightness of the connection, the working of the valve and can even cause a rupture.** To be sure, place the kit in position to ensure the assembling will work.
- **If sections of piping do not have their final support in place, they should be temporarily fixed. This is to avoid unnecessary strain on the valve.**
- It's recommended to operate the valve (open and close) 1 to 2 times per year