

BUTTERFLY-VALVE

PVC-U - PP - PVDF

FEATURES

The butterfly-valves are wafer-style valves intended for current valve applications. This valve, PN10, is used to isolate low-pressure water, acid or alkaline fluid networks. The notched handle makes it possible to lock the valve in different positions.



AVAILABLE VERSIONS

BUTTERFLY	BODY	GASKETS
PVC-u	PVC-u	EPDM
PVC-u	PVC-u	FPM
PP	PP	EPDM
PP	PP	FPM
PVDF	PVDF	FPM

Diameter: DN50 to DN600

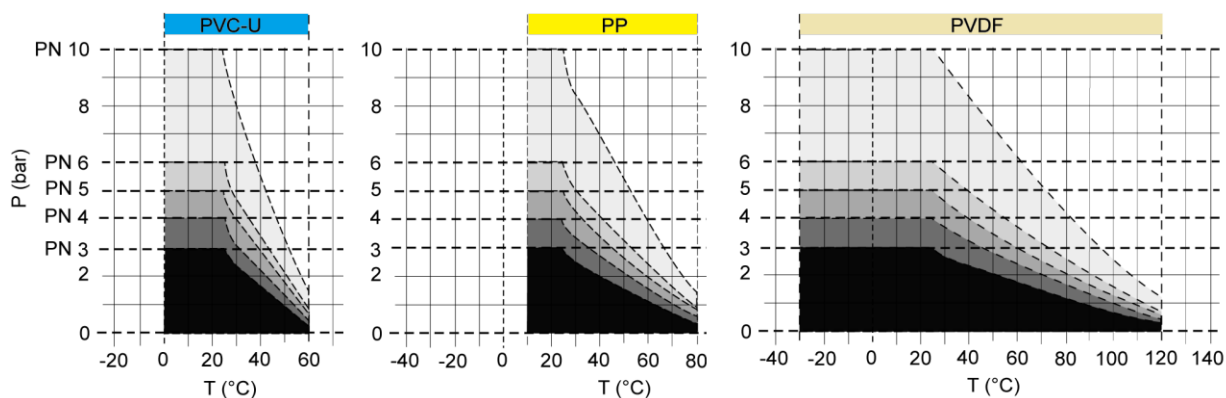
Connection between flanges according to DIN 2501 PN10/16

Sealing by sleeve from DN250 to DN600

Control by notched lever (notch every 15°) from DN50 to DN200

Control by manual gear box from DN250 au DN600

LIMITS OF USE

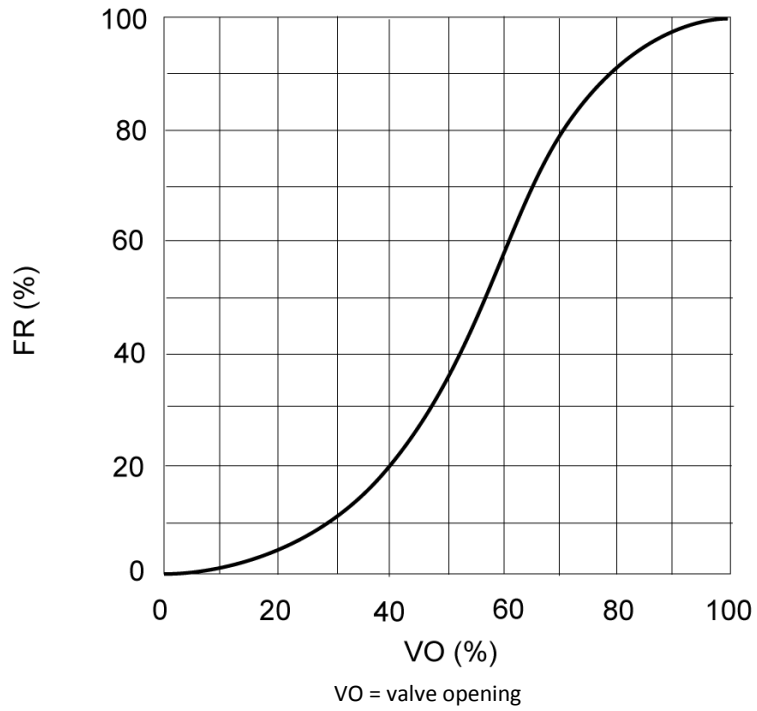
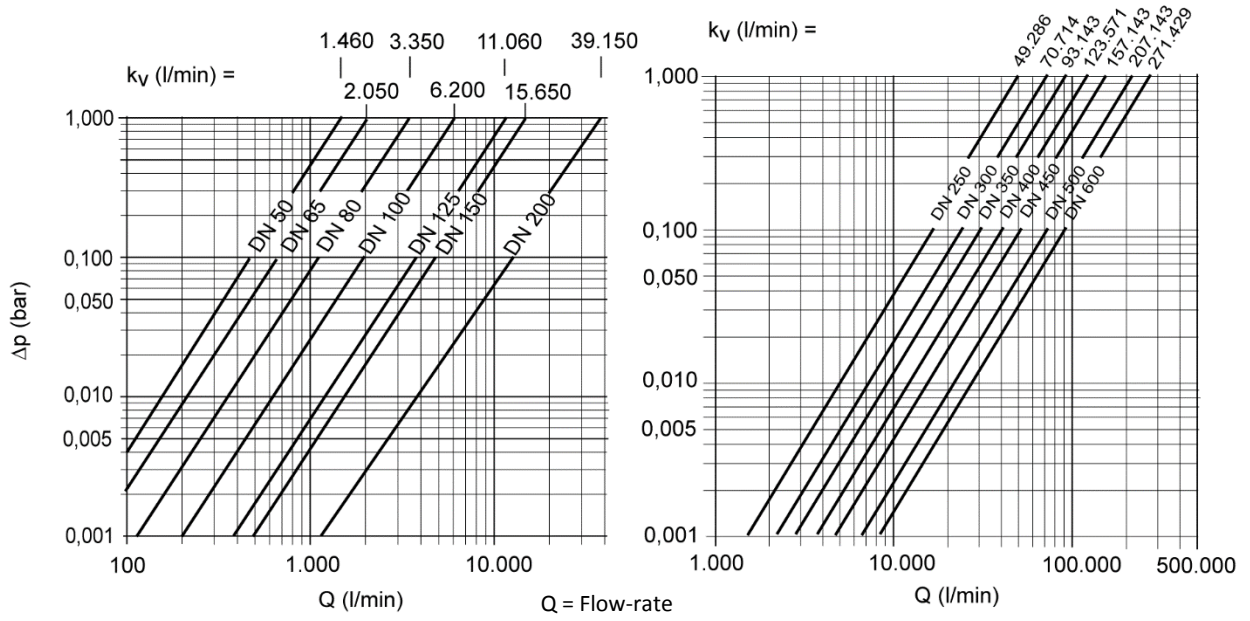


PN 10 DN50 to DN125, PN 6 DN150 to DN350, PN 5 DN 400, PN 4 DN450, PN3 DN500 and 600

The limits of each material are available for the nominal pressures indicated, and for a service life of 25 years. These are indicative values for non-hazardous transported materials (DIN 2403), for which the valve material is resistant. Please contact us for use at temperatures below 0°C (+10°C for PP).

HYDRAULIC FEATURES

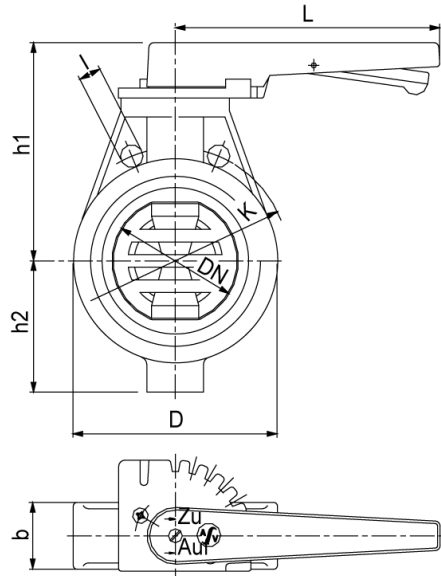
Pressure drop curve (Indicative value for H₂O at 20°C)



DIMENSIONS (mm)

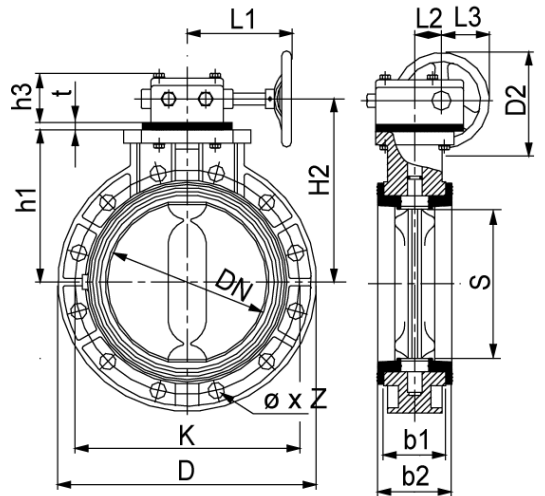
DN50 to DN200

DN	50	65	80	100	125	150	200
d	63	75	90	110	140	160	225
b	43	46	46	52	64	65	71
D	107	127	142	162	192	216	272
h1	140	156	164	174	209	220	265
h2	81	88	96	106	133	145	180
K	125	145	160	180	210	240	295
l	18	18	18	18	18	23	23
L	170	210	210	210	300	300	400



DN250 to DN600

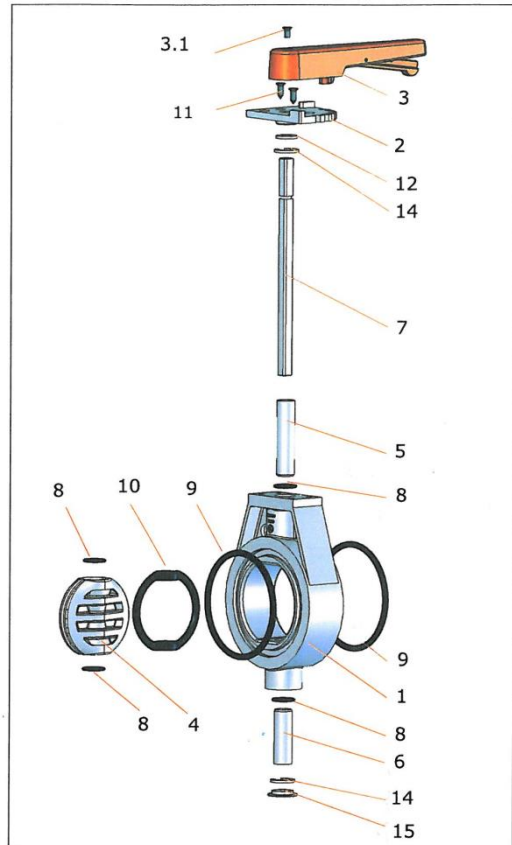
DN	250	300	350	400	450	500	600
b1	104	127	119.5	160	171	180	201
b2	109	131.5	127	166	179	189.5	210
h3	73	73	86	86	86	86	86
D PVC	411	490	530	596	630	696	813
D PP	406	488	526	588	630	696	813
D PVDF	402	480	518	583	612	670	793
D2	200	200	300	300	300	300	300
h1 PVC	239.5	298	300	345	370	410	480
h1 PP	238	297	297	342	365	405	475
h1 PVDF	233	291	293	340	360	396	460
H2 PVC	271.5	330	337.7	382.7	407.7	447.7	517.7
H2 PP	270	329	334.7	379.7	402.7	442.7	498.7
H2 PVDF	265	323	330.7	377.7	397.7	433.7	497.7
K	350	400	460	515	565	620	725
L1	177	177	217	217	217	217	217
L2	52	52	67	67	67	67	67
L3	100	100	150	150	150	150	150
S	247.5	302.5	348	386.5	441.5	490.5	599
t	-	-	-	25	25	25	25



CONSTRUCTION

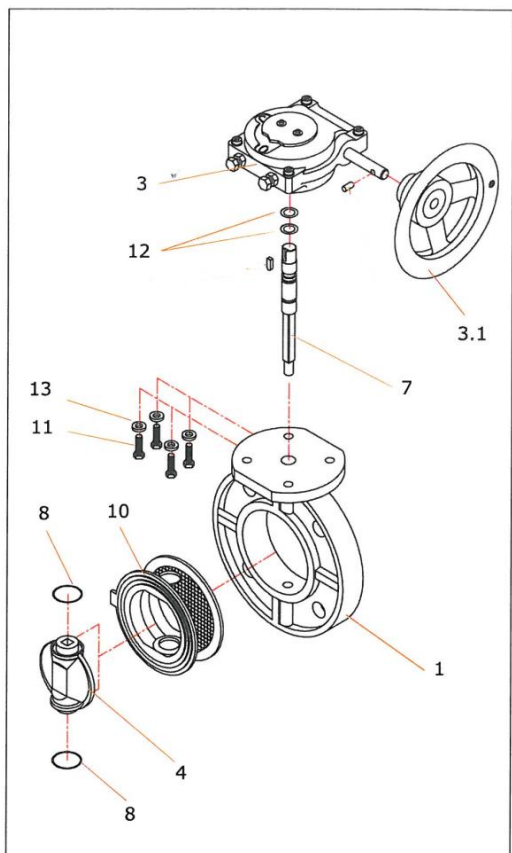
DN50 to DN200

N°	Item	PVC	PP	PVDF
1	Body	PVC-U	PP	PVDF
2	Notched disc	PVC-U	PP	PVDF
3	Handle	PP-GF	PP-GF	PP-GF
3.1	Screw	Stainless steel	Stainless steel	Stainless steel
4	Butterfly	PVC-u	PP	PVDF
5	Stem ring	PVDF	PVDF	PVDF
6	Stem ring	PVDF	PVDF	PVDF
7	Stem	303 SS	303 SS	303 SS
8	O-ring	EPDM or FPM	EPDM or FPM	EPDM or FPM
9	O-ring	EPDM or FPM	EPDM or FPM	EPDM or FPM
10	Sealing	EPDM or FPM	EPDM or FPM	EPDM or FPM
11	Screw	Stainless steel	Stainless steel	Stainless steel
12	Washer	Stainless steel	Stainless steel	Stainless steel
14	Pin	Stainless steel	Stainless steel	Stainless steel
15	Cap	PVC-U	PP	PVDF



DN250 to DN600

N°	Item	PVC	PP	PVDF
1	Body	PVC-u	PP	PVDF
3	Manual gear box	Aluminium or cast iron	Aluminium or cast iron	Aluminium or cast iron
3.1	Wheel	Steel	Steel	Steel
4	Butterfly	PVC-U	PP (PVDF option)	PVDF
7	Stem	303 SS	303 SS	303 SS
8	O-ring	EPDM or FPM	EPDM or FPM	EPDM or FPM
10	Liner	EPDM or FPM	EPDM or FPM	EPDM or FPM
11	Screw			
12	O-ring	EPDM or FPM	EPDM or FPM	EPDM or FPM
13	Washer	Stainless steel	Stainless steel	Stainless steel



ASSEMBLY INSTRUCTIONS

If using a collar with male end, a chamfer/bevel is needed for the butterfly feed-through.

SRD17.6

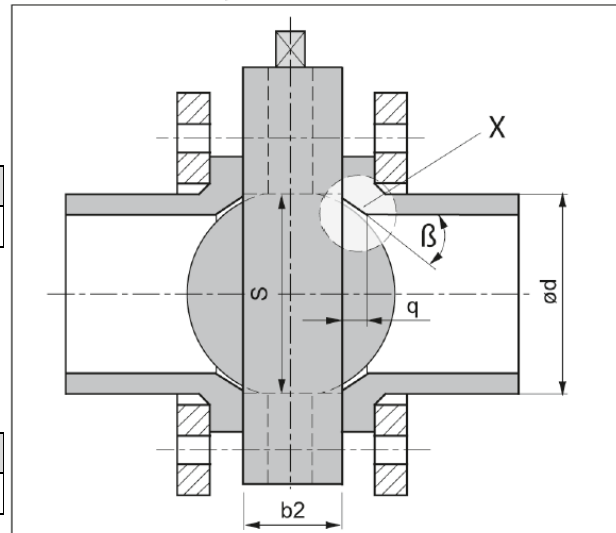
d(mm)	63	75	90	110
q(mm) xβ	-	-	3x45°	3x45°

d(mm)	140	160	225
q(mm) xβ	3x45°	12x30°	18x30°

SRD11

d(mm)	63	75	90	110
q(mm) xβ	-	3x45°	8x35°	9x35°

d(mm)	140	160	225
q(mm) xβ	11x35°	20x35°	31x30°



SRD17.6

d(mm)	280	315	355	400	450	500	600
q(mm) xβ	5x25°	10x25°	30x25°	15x25°	*	*	*

SRD11

d(mm)	280	315	355	400	450	500	600
q(mm) xβ	20x30°	35x30°	55x30°	50x30°	*	*	*

*Upon request

Maximum torque for flange tightening (Nm)

d(mm)	63	75	90	110	140	160	225
Torque	20	20	20	25	25	30	55

d(mm)	280	315	355	400	450	500	600
Torque	65	65	80	85	85	90	90